

## ALIGNMENT RECORDING FORM

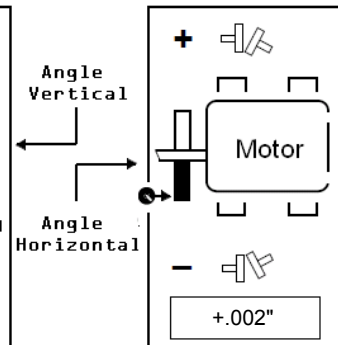
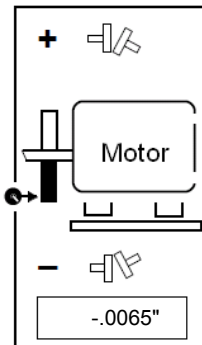
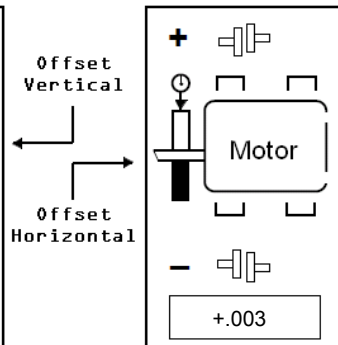
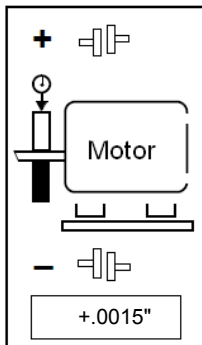
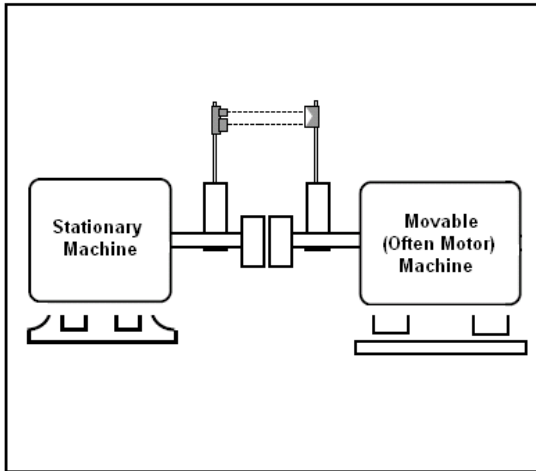
**EQUIPMENT** Log Crane, 125 Hp Motor  
**ALIGNERS** Glen Hutto

**DATE** 7-19-2011  
**SHEET** 1 **OF** 1

**Tolerances for Shaft Alignment - Short Coupled**

SPEED	OFFSET		ANGULARITY (Gap)	
	EXCELLENT ± (Mils)	ACCEPTABLE ± (Mils)	EXCELLENT ± (Mils/10")	ACCEPTABLE ± (Mils/10")
600	5.0	9.0	10.0	15.0
900	3.0	6.0	7.0	10.0
1200	2.5	4.0	5.0	8.0
1800	2.0	3.0	3.0	5.0
3600	1.0	1.5	2.0	3.0
7200	0.5	1.0	1.0	2.0

+ - RPM      + - Mils      + - Mils per 10" DIAMETER



**Comments:**

Log crane alignment. The motor was aligned to the crane drum. The motor was found to have some soft foot (motor feet uneven not allowing for a level foot to base.) Some of the soft foot was removed by removing plate metal shim stock from the feet and replacing with measured shim stock. All of the soft foot was not eliminated as the bolts could not be removed from the front feet to allow the metal plate to be removed and replaced. The motor was successfully aligned. The values recorded above represent the final alignment numbers as measured with an alignment laser.

*glen a hutto*